

Flow Measurement in High-Pressure Applications

Autoclave Connections
up to 1,000 bar



ZHM...HP Gear Flow Meters



Küppers Elektromechanik GmbH

Technical Data

Measuring ranges:ZHM 01/2 HP: 0.02 up to 3 ltr./min

ZHM 02 HP: 0.1 up to 7 ltr./min

Linearity: $\pm 0.5\%$ of actual flow

Repeatability: $\pm 0.1\%$

K-factor:ZHM 01/2: approx. 14,000 pulses/ltr. (centre pickup for pulse doubling on request)

ZHM 02: approx. 4,200 pulses/ltr. (centre pickup for pulse doubling on request)

Operating pressure: . . .max. 1,000 bar

Connections:Autoclave 3/8" _8F-375-CX

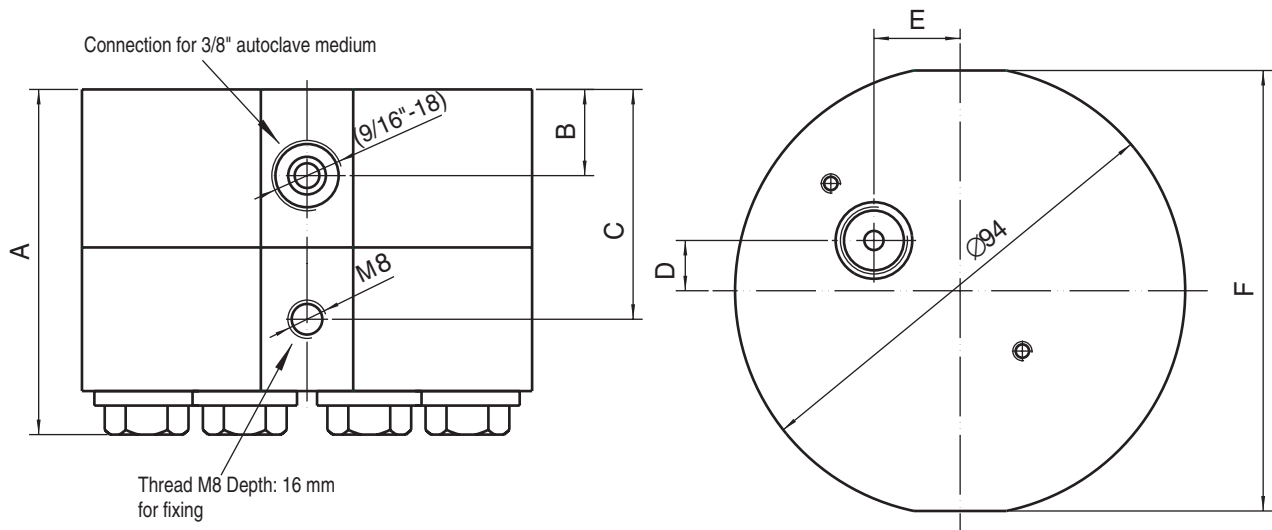
Fluid temperature: . . .up to +150 °C

Materials:housing: stainless steel SS 316 L

gears: stainless steel SS 303

seal: Viton

Dimensional drawing (mm)



Type	A	B	C	D	E	F
ZHM 01/2	*	*	*	*	*	*
ZHM 02	72	18	48	10.5	18	92

* Missing data to follow.

Electrical Connection (VTEK/P Ex)

- Push Pull
 - Voltage level NPN/open collector passive
- $U_{\text{High}} > U - (I_{\text{out}} \text{ (mA)} \times 1300 \Omega)$
 $U_{\text{Low}} < 0.6 \text{ V} + (I_{\text{out}} \text{ (mA)} \times 1300 \Omega)$
 $U_{\text{max}} = 30 \text{ V}$

Pin connections (colour KEM-cable)

- 1 = UB +8.5 up to 29 VDC (grey)
- 2 = Signal Push Pull (green)
- 3 = 0 V (brown)
- 4 = OC Collector (white)
- 5 = OC Emitter (yellow)

